

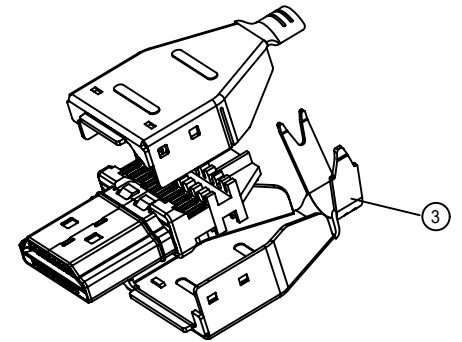
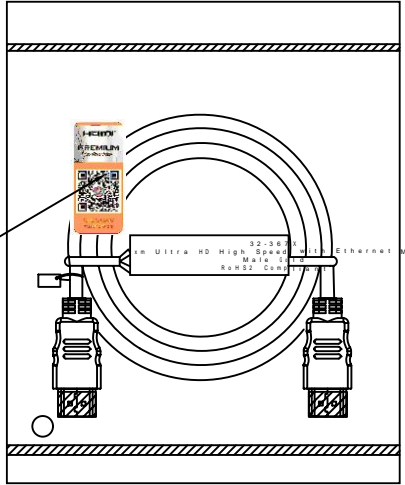
Manufacturer PN.	L/(MM)
32-3670P	1000
32-3672P	2000
32-3673P	3000

ELECTRONIC TEST:

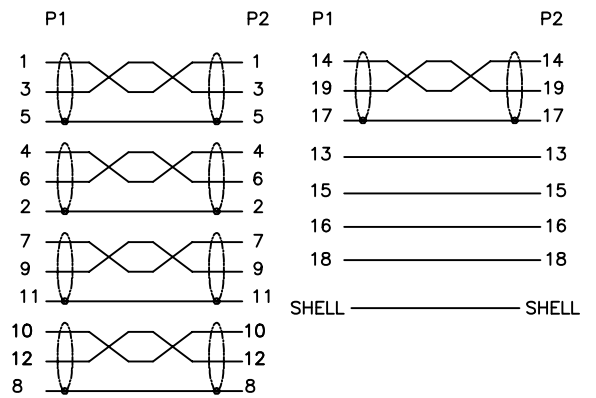
- 1.OPEN/SHORT/INTERMITTENCE: 100%.
- 2.CONDUCTIVE RESISTANCE:3 OHM (MAX)
- 3.HD-TV:4K*2K@60Hz
- 4.RoHS & REACH COMPLIANT



Premium Certification label



PIN OUT



NO.	MATERIAL	DESCRIPTION	QTY.	UNIT
⑦	DUST CAP	HDMI A Male DUST CAP	2	PCS
⑥	PAPER CARD	3.5*1.8CM *3D 4K*	1	PCS
⑤	MOLDED	45P BLACK PVC		G
④	MOLDED	LD-PE		G
③	SHIELDING CASE	TINPLATE	2	SET
②	CONNECTOR	HDMI A 19PIN Male Gold plated	1	PCS
①	CABLE	(1/0.254BC*1P+1/0.254BC+AM)*5+1/0.254BC*4C+A+D(1/0.254BC)+B(64/0.12AL-MG) BLACK PVC JACKET,OD:6.0±0.2MM, MARKING:High Speed HDMI® Cable with Ethernet	L	MM

Ltemref	Quantity	Title/Name,designation,material,dimension etc	Article No./Reference		
Designed by ALVIN	Checked by HELEN	Approved by - date 15-07-2019	File name	Date 15-07-2019	Scale FREE
ANGLE:		HDMI-M/M		Edition 1	Sheet 1/1
UNIT:MM		32-3670P, 32-3672P, 32-3673P			