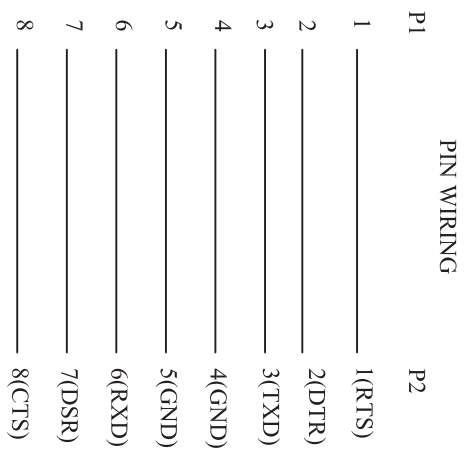
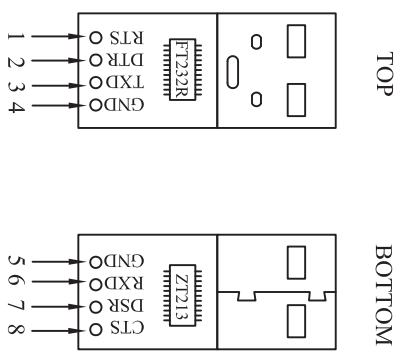


FT232+ZT213



- NOTES:
- 1.ELECTRICAL TEST:100% OPEN,SHORT&MISSWIRE TEST.
 - 2.CONDUCTOR RESISTANCE:20hm.
 - 3.HIGH VOLTAGE:DC 300V 0.01sec.
 - 4.MUST BE ROHS COMPLIANT.

BOM

4	Molding	PVC 45P BLUE	IPCS
3	Connector	RJ45 8P8C MALE	IPCS
2	Connector	FTDI-FT232R+ZT213PCB USB A/M CONNECTOR PLASTIC:WHITE	IPCS
1	Cable	UL20251 28AWG(7/0.12TC)*8C PVC JACKET COLOR:BLUE OD=2.5*9.0±0.2mm L=1800±10MM	IPCS
NO.	Name	SPECIFICATION	Q'TY

TITLE		FT232+ZT213 USB TO RJ45 serial cable			
SCALE		CUSTOMER'S ITEM		CUSTOMER	
UNIT	1:1	DRAWN BY	steve	DATE	2016-3-3
REV.	A	CHECKED BY		DRAWING NO.	
		APPROVED BY		PCM-USB-009	