

8 7 6 5 4 2 1

Technical requirement 技术参数：
 1. Electrical Characteristics Test 电气性能检验
 1.1 Products 100% for electrical test. 成品100%电性测试。
 1.2 Insulation resistance: No less than 100MΩ of 500V DC/0.4S.
 绝缘阻抗: 大于或等于100MΩ 500V DC/0.4S.
 1.3 Dielectric strength 耐电压
 1.3.1 Between two conductors 2500_{-0}^{+200} V AC for 1.0s Trip-current 3.0mA max.
 导体与导体之间 2500_{-0}^{+200} V AC /1秒,漏电流3.0mA(max).
 1.3.2 Between conductor and body 6000_{-0}^{+200} V AC for 3.0s - Trip current 3.0mA max.
 导体与本体之间 6000_{-0}^{+200} V AC /3秒,漏电流3.0mA(max).
 2. Mechanical Characteristics Test 机械性能检验
 2.1. Withdrawal force 拔出力
 2.1.1 For checking each PIN independently from the standard-gauge below 1.5N(Min) Keep for 3S or more.
 标准量规对连接器插孔单PIN保持力为最小1.5N保持3秒以上。
 2.1.2 For checking Integral withdrawal force 50N(Max) from maximum standard gauge. 标准量规(最大值)检查整体拔出力 50N(最大).
 3. Finished product conditions 成品状态
 3.1 The attachment plug front show the test mark of "T".
 插头主视面须有测试标志"T".
 3.2 The dimension with "▽" must be control and inspected importantly.
 带"▽"尺寸需重点管控和检验。
 4. Standards 标准
 4.1 The cord shall comply with IEC60227. 线材须符合IEC60227.
 4.2 The molded plug shall comply with BS 1363. 插头须符合BS 1363.
 4.3 The molded connector shall comply with IEC60320. 连接器须符合IEC60320.
 5. Environmental requirement 环保要求
 5.1 Material and product comply with Doc No."QW-Q-043"《material-and product- of restricted substance control specification.
 物料及成品必须符合QW-Q-043《材料与成品限用物质管理规范》.

REV.	DESCRIPTION	DESIGN	APPROVAL	DATE
X	NEW	Betty	BG YANG	2014.12.19

Wiring method 接线方式：
 J1 cord J2
 E — Yellow/Green 黄/绿色 E
 L — Brown 棕色 L
 N — Blue 蓝色 N

ITEM	NAME	DESCRIPTION	Q'TY	UNIT
⑩	SLEEVE	Protecting of plug, White	PCS	1
⑨	TIE	BLACK PE tie hanking cord and meeting RoHS.	PCS	1
⑧	PLASITC	45P BLACK PVC pellets meeting RoHS and UL94 V-0.	PCS	1
⑦	PLASITC	55P BLACK PVC pellets meeting RoHS and UL94 V-0.	PCS	1
⑥	TERMINAL	U type contact terminal with wing for C13 connector, copper	PCS	3
⑤	HOUSING	Down cover of C13, PBT material, white	PCS	1
④	HOUSING	Upper cover of C13, PBT material, white	PCS	1
③	FUSE	5A fuse in line with BS 1362	PCS	1
②	INSERT	UK fuse plug insert with grounding, black	PCS	1
①	POWER CORD	H05VV-F 3x1.0mm ² Φ7.2±0.15mm Black	MM	1

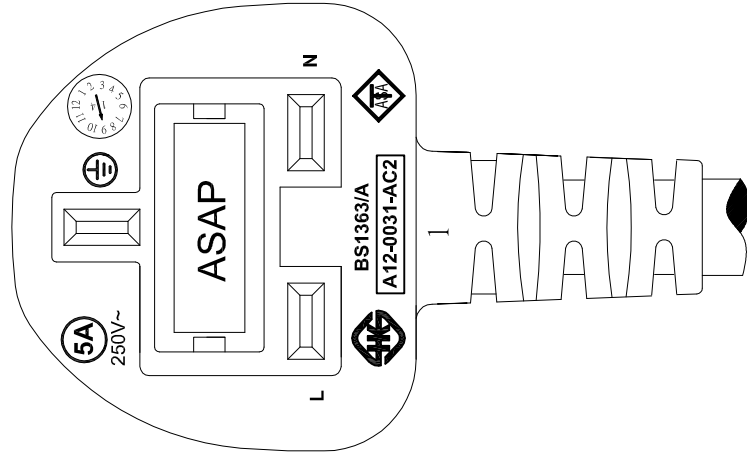
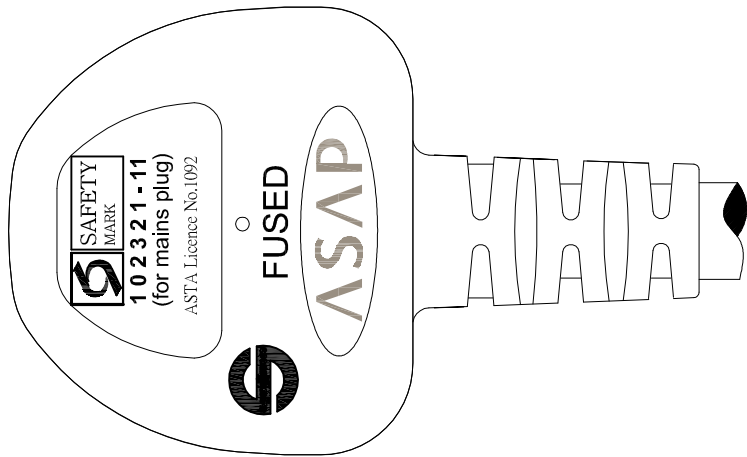
X.±	X.°±
.X±	.X°±
.XX±	.XX°±
.XXX±	.XXX°±
UNITS	mm

THESE DRAWINGS AND SPECIFICATIONS ARE THE PROPERTY OF LUXSHARE-ICT AND SHALL NOT BE REPRODUCED, COPIED OR CUED IN ANY MANNER WITHOUT THE PRIOR WRITTEN CONSENT OF LUXSHARE-ICT

P/N:42 2887

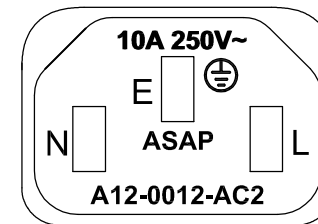
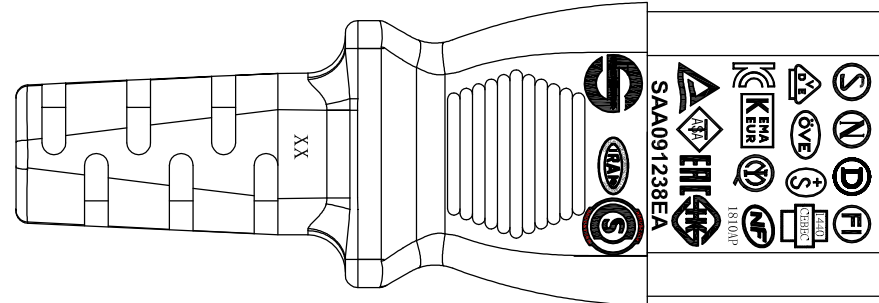
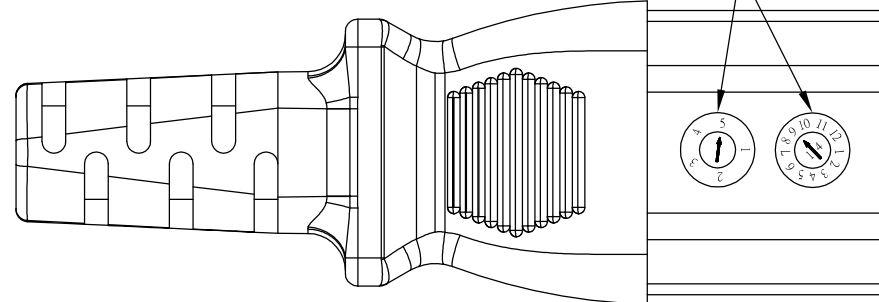
PART NO: L8CAC029-QT-N		TITLE: UK 3P To C13 L3.0M Black	
APPD: Baogen Yang		DWG NO: ACRDN14120036	
CHKD: Guangren Ouyang		SCALE	SHEET
DRAW: Betty Zou		NONE	1/2
		REV.	X

8 7 6 5 4 3 2 1



J1 Marking
J1端標誌

年份,月份随生产时间变化而变化
The date marking change as the actual making date

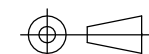


J2Marking
J2端標誌

X.±	X.°±
.X±	.X°±
.XX±	.XX°±
.XXX±	.XXX°±
UNITS	mm

THESE DRAWINGS AND SPECIFICATIONS ARE THE PROPERTY OF LUXSHARE-ICT AND SHALL NOT BE REPRODUCED, COPIED OR CUED IN ANY MANNER WITHOUT THE PRIOR WRITTEN CONSENT OF LUXSHARE-ICT

<h1>P/N:42 2887</h1>			
PART NO: L8CAC029-QT-N		TITLE: UK 3P To C13 L3.0M Black	
APPD: Baogen Yang		DWG NO: ACRDN14120036	
CHKD: Guangren Ouyang		SCALE	SHEET
DRAW: Betty Zou			
		NONE	2/2
			X



A