

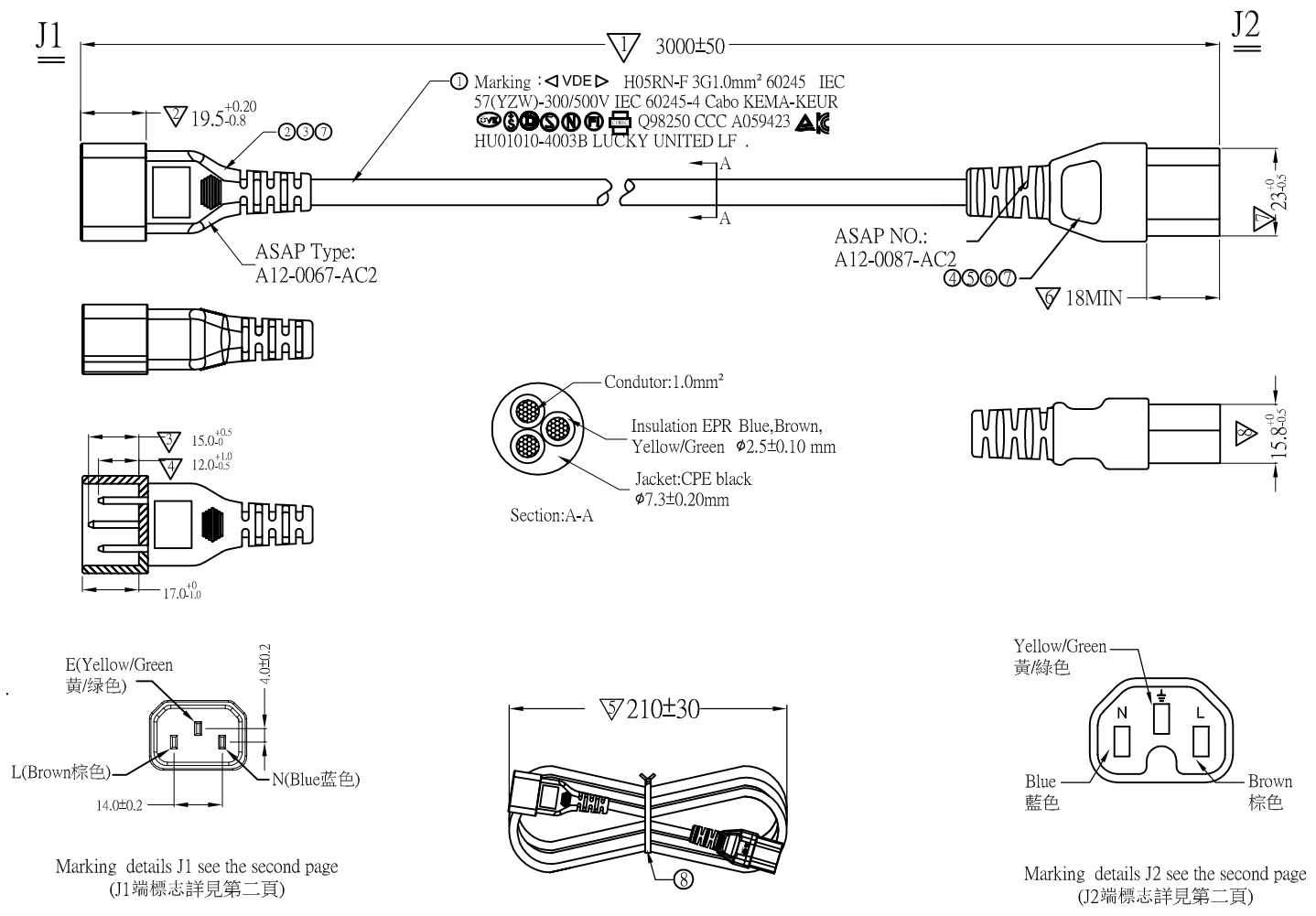
REV.	DESCRIPTION	DESIGN	APPROVAL	DATE
X	NEW	Betty	BG YANG	2014.12.23

Technical requirement 技术参数：

- Electrical Characteristics Test 电气性能检验
 - Products 100% for electrical test. 成品100%电性测试.
 - Insulation resistance: No less than 100MΩ of 500V DC/0.4S.
绝缘阻抗: 大于或等于100MΩ 500V DC/0.4S.
 - Dielectric strength 耐电压
 - Between two conductors 2500_{-0}^{+200} V AC for 1.0s Trip-current 1.0mA max.
导体与导体之间 2500_{-0}^{+200} V AC /1秒, 漏电流1.0mA(max).
 - Between conductor and body 4000_{-0}^{+200} V AC for 3.0s - Trip current 1.0mA max.
导体与本体之间 4000_{-0}^{+200} V AC /3秒, 漏电流1.0mA(max).
- Mechanical Characteristics Test 机械性能检验
 - Withdrawal force 拔出力
 - For checking each PIN independently from the standard-gauge below 1.5N(Min) Keep for 3S or more.
标准量规对连接器插孔单PIN保持力为最小1.5N保持3秒以上.
 - For checking Integral withdrawal force 50N(Max) from maximum standard gauge. 标准量规(最大值)检查整体拔出力 50N(最大).
- Finished product conditions 成品状态
 - The attachment plug front show the test mark of "T".
插头主视面须有测试标志"T".
 - The dimension with "▽" must be control and inspected importantly.
带"▽"尺寸需重点管控和检验.
- Standards 标准
 - The cord shall comply with IEC 60245-4/DIN VDE 0282-4, 线材须符合IEC 60245-4/DIN VDE 0282-4 ;
 - The plug and connector shall comply with IEC 60320. 插头和连接器须符合IEC60320;
- Environmental requirement 环保要求
 - Material and product comply with Doc No."QW-Q-043" 《material-and product- of restricted substance control specification. 物料及成品必须符合QW-Q-043 《材料与成品限用物质管理规范》.

Wiring method 接线方式：

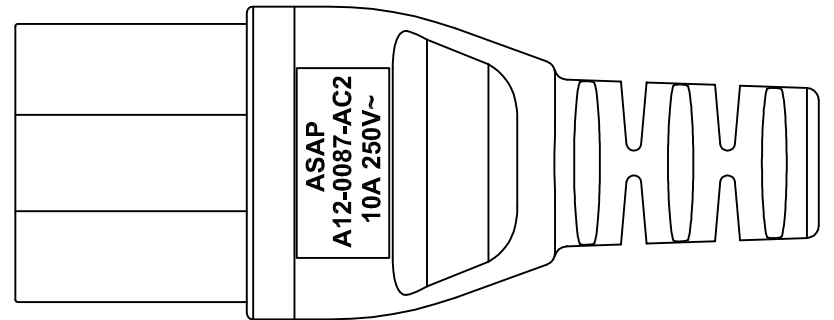
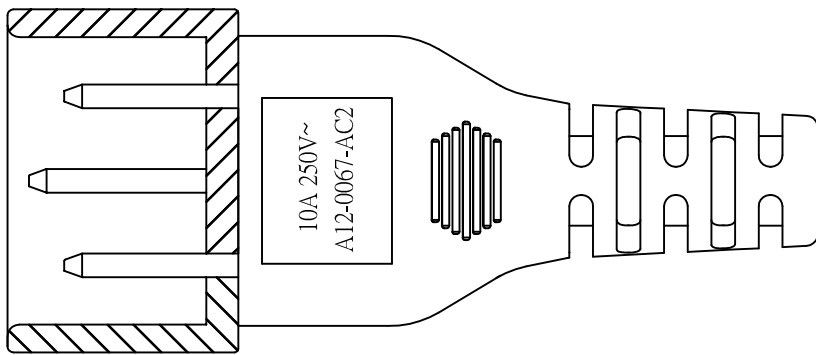
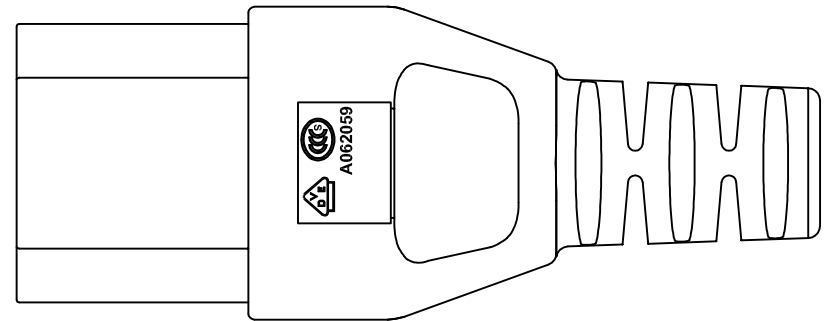
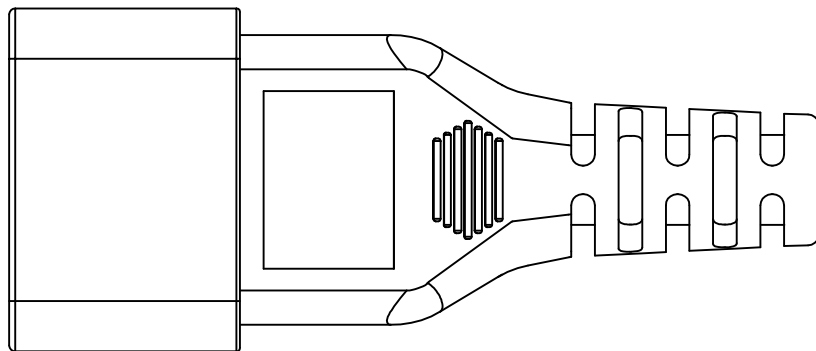
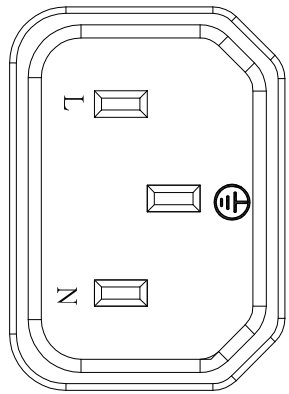
- | | | |
|----|-------------------|----|
| J1 | cord | J2 |
| E | Yellow/Green 黄/绿色 | E |
| L | Brown 棕色 | L |
| N | Blue 蓝色 | N |



⑧	TIE	BLACK PE tie hanking cord and meeting RoHS.	PCS	1	X.±	X.°±	PART NO: L8CAC030-QT-R	TITLE: VDE C14 To C15 L3.0M Black
⑦	PLASTIC	55P BLACK PVC pellets meeting RoHS and UL94 V-0.	PCS	1	.X±	.X°±		
⑥	TERMINAL	U type contact terminal with wing for C15 connector, phosphor copper.	PCS	3	.XX±	.XX°±		
⑤	HOUSING	Down cover of C15 , PBT material, white	PCS	1	.XXX±	.XXX°±		
④	HOUSING	Upper cover of C15 , PBT material, white	G	1	UNITS	mm		
③	HOLDER	Holder , PBT material, black.	PCS	1	THESE DRAWINGS AND SPECIFICATIONS ARE THE PROPERTY OF LUXSHARE-ICT AND SHALL NOT BE REPRODUCED, COPIED OR CUED IN ANY MANNER WITHOUT THE PRIOR WRITTEN CONSENT OF LUXSHARE-ICT		APPD: Baogen Yang	DWG NO: ACRDN14120028
②	BLADE	Blade 2x4mm, copper,nickel-plated	PCS	3			CHKD: Guangren Ouyang	
①	POWER CORD	H05RN-F 3G1.0mm ² Black	MM	1			DRAW: Betty Zou	
ITEM	NAME	DESCRIPTION	Q'TY	UNIT				
8	7	6	5	4	3	2	1	

P/N:42 2981

SCALE	SHEET	REV.
NONE	1/2	X



J1Marking
J1端標誌

J2Marking
J2端標誌

X.±	X.°±
.X±	.X°±
.XX±	.XX°±
.XXX±	.XXX°±
UNITS	mm

THESE DRAWINGS AND SPECIFICATIONS ARE THE PROPERTY OF LUXSHARE-ICT AND SHALL NOT BE REPRODUCED, COPIED OR CUED IN ANY MANNER WITHOUT THE PRIOR WRITTEN CONSENT OF LUXSHARE-ICT

PART NO:
L8CAC030-QT-R

APPD: Baogen Yang
CHKD: Guangren Ouyang
DRAW: Betty Zou

P/N:42 2981

TITLE:
VDE C14 To C15 L3.0M Black

DWG NO:
ACRDN14120028

	SCALE	SHEET	REV.
	NONE	2/2	X

8

7

6

5

4

2

1

E

E

D

D

C

C

B

B

A

A

8

7

6

5

4

3

2

1