

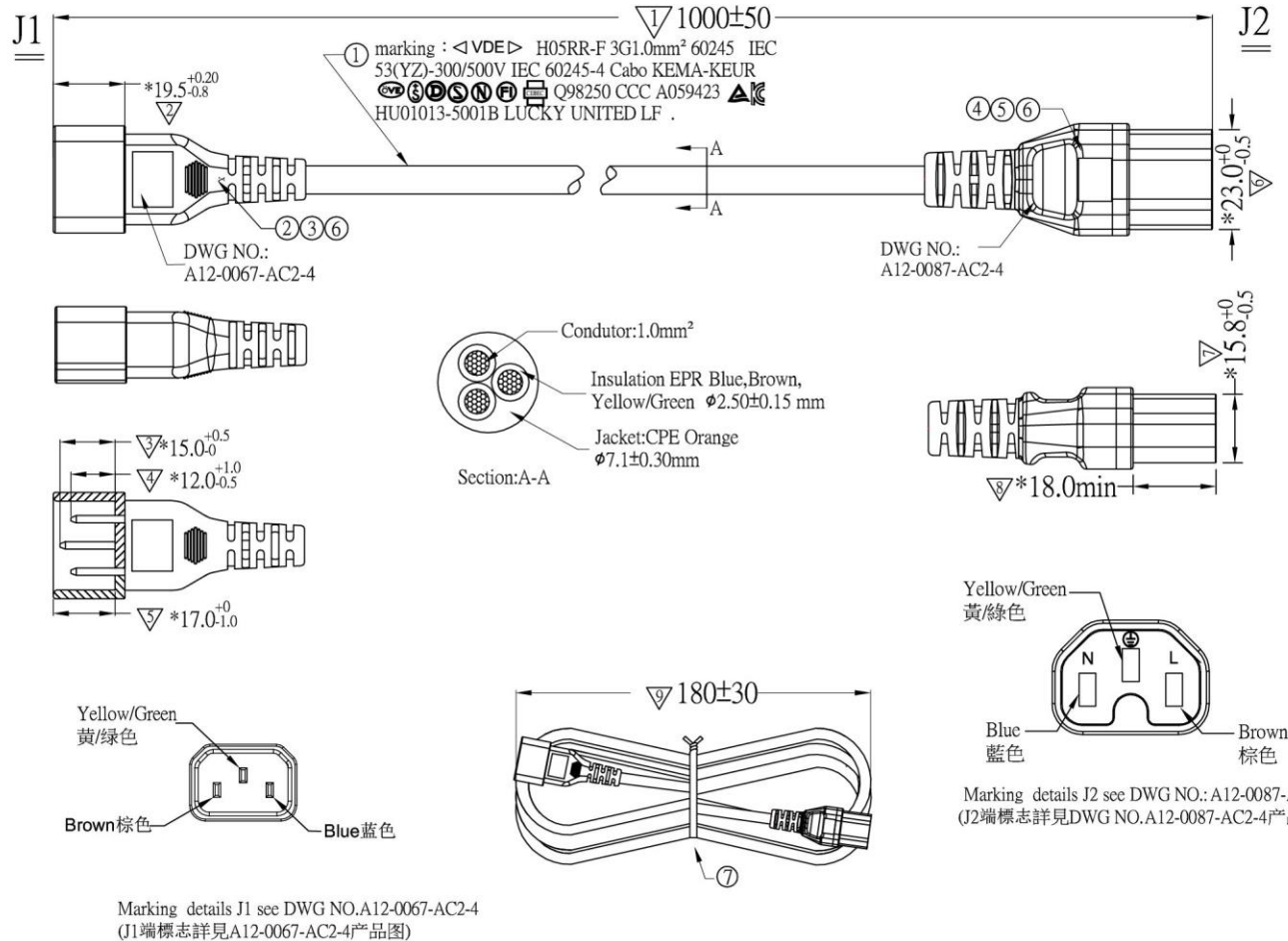
Technical requirement 技术参数：

1. Electrical Characteristics Test 电气性能检验
 - 1.1 Products 100% for electrical test. 成品100%电性测试。
 - 1.2 Insulation resistance: No less than 100MΩ of 500V DC/0.4S.
绝缘阻抗: 大于或等于100MΩ 500V DC/0.4S.
 - 1.3 Dielectric strength 耐电压
 - 1.3.1 Between two conductors 2500⁰200V AC for 1.0s Trip current 1.0mA max.
导体与导体之间 2500⁰200V AC /1秒, 漏电流1.0mA(max)。
 - 1.3.2 Between conductor and body 2500⁰200V AC for 1.0s Trip current 1.0mA max.
导体与本体之间 2500⁰200V AC /1秒, 漏电流1.0mA(max)。
2. Mechanical Characteristics Test 机械性能检验
 - 2.1. Withdrawal force 拔出力
 - 2.1.1 For checking each PIN independently from the standard-gauge below 1.5N(Min) Keep for 3S or more.
标准量规对连接器插孔单PIN 保持力为最小1.5N保持3秒以上。
 - 2.1.2 For checking Integral withdrawal force 50N(MAX) from maximum standard gauge. 标准量规(最大值)检查整体拔出力 50N(MAX)。
3. Finished product conditions 成品状态
 - 3.1 The attachment plug front show the test mark of " T ".
插头主视面须有测试标志" T "。
 - 3.2 The dimension with "▽" must be control and inspected importantly.
带"▽"尺寸需重点管控和检验。
 - 3.3 The dimension with " * " is required by safety standard.
带" * "尺寸为安规尺寸。
 - 3.4 material and product comply with Doc No."QW-Q-043"《material-and product- of restricted substance control specification.
物料及成品必须符合QW-Q-043《材料与成品限用物质管理规范》。
4. The standards for the products.: 产品标准：
 - 4.1 The cord shall comply with VDE EN 50525-2-21.2011 ,
线材须符合VDE EN 50525-2-21.2011 ;
 - 4.2 The plug and connector shall comply with IEC 60320. 插头和连接器须符合IEC60320;

Wiring method 接线方式：

J1	cord	J2
E	Yellow/Green 黄/绿色	E
L	Brown 棕色	L
N	Blue 蓝色	N

REV.	DESCRIPTION	DESIGN	APPROVAL	DATE
A	NEW	Hongmei	XL Deng	2017.12.13
A2	ECN18-000005450 (change the cable marking)	Hongmei	XL Deng	2018.02.10

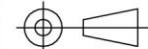


P/N:42-2991

ITEM	NAME	DESCRIPTION	UNIT	Q'TY
⑦	TIE	BLACK PE tie hanking cord and meet RoHS.	pcs	1
⑥	PLASTIC	55P Orange PVC pellets meet RoHS and UL94 V-0.	g	1
⑤	TERMINAL	U type contact terminal for C15 connector, phosphor copper.	pcs	3
④	HOLDER	Holder for C15, PBT, Orange.	pcs	1
③	HOLDER	Holder for C14, PBT, Orange.	pcs	1
②	BLADE	Blade 2x4mm, copper, nickel-plated	pcs	3
①	POWER CORD	H05RR-F 3x1.0mm ² , Orange	mm	NA

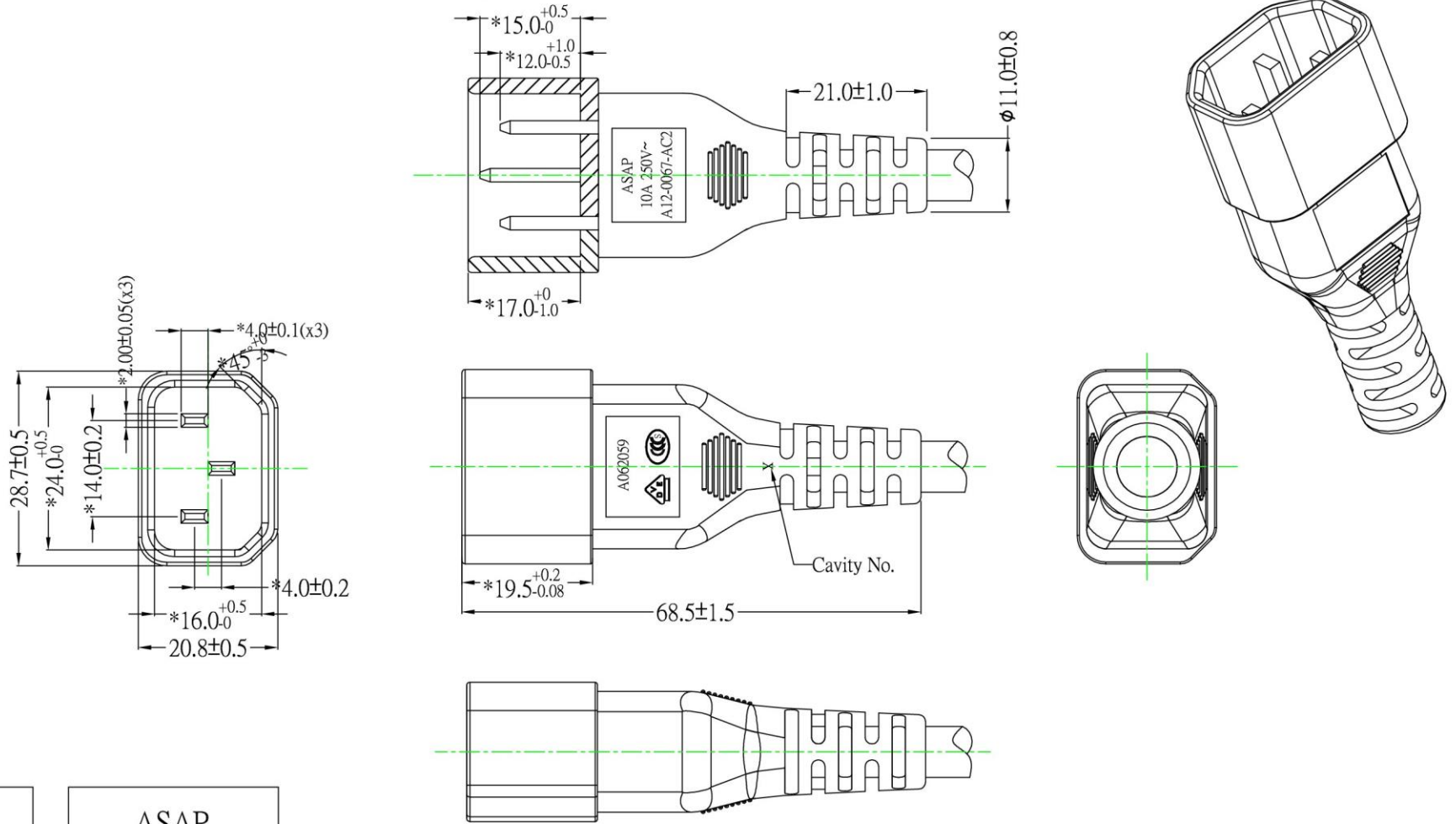
X.±	X.°±	UNITS mm
.X±	.X°±	
.XX±	.XX°±	MATL
.XXX±	.XXX°±	
THESE DRAWINGS AND SPECIFICATIONS ARE THE PROPERTY OF ASAP TECHNOLOGY(JIANGXI)CO., LIMITED AND SHALL NOT BE REPRODUCED, COPIED OR CUED IN ANY MANNER WITHOUT THE PRIOR WRITTEN CONSENT OF ASAP TECHNOLOGY(JIANGXI)CO., LIMITED.		FINISH
		Q'TY

PART NO: L8CAC114-QT-R	TITLE: EU C14 TO C15 L1.0m Orange Pantone 164 C
APPD: XL Deng	DRG NO: RDN17120211-006
CHKD: Guangren Ouyang	SCALE SHEET REV. NONE 1/1 A2
DR: Hongmei Hu	




NOTE:
 Technical Requirement: The dimension with " * " is for safety standard.

REV.	DESCRIPTION	DESIGN	APPROVAL	DATE
A	NEW	JING LIU	QS LIU	2017.10.06

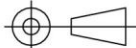


A062059



ASAP
 10A 250V~
 A12-0067-AC2

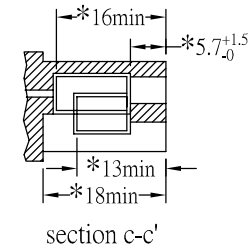
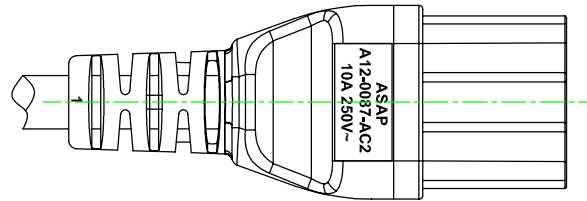
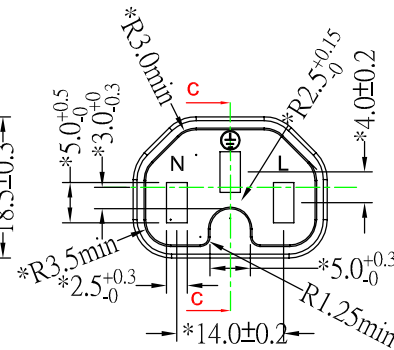
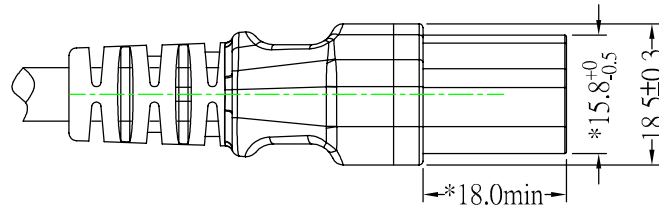
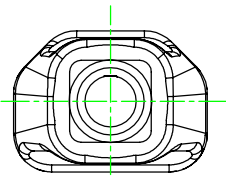
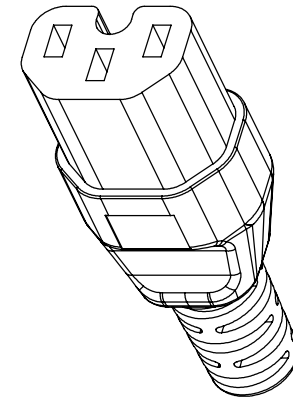
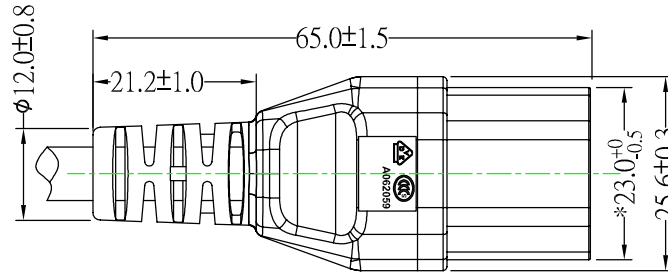
Marking

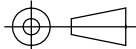
X. :±0.6	X.° :±1°	DWG TYPE: PRODUCT DRAWING	TITLE: CCC/VDE C14			
.X :±0.4	.X° :±0.6°					
.XX:±0.10	.XX°:±0.3°	MOUID NO: AC-C0067-x	DWG NO: A12-0067-AC2-4			
UNITS	mm	APPD: 欧阳光仁				
THESE DRAWINGS AND SPECIFICATIONS ARE THE PROPERTY OF LUXSHARE-ICT AND SHALL NOT BE REPRODUCED, COPIED OR CUED IN ANY MANNER WITHOUT THE PRIOR WRITTEN CONSENT OF LUXSHARE-ICT		CHKD: 刘秋顺		SCALE	SHEET	REV.
		DRAW: 刘景		NONE	1/1	A

NO.	SPECIFICATION	Remark
1	H05RRR-F 3x1.0mm ² φ7.2mm	Round Cable

NOTE:
 Technical Requirement: The dimension with " * " is for safety standard.

REV.	DESCRIPTION	DESIGN	APPROVAL	DATE
A	NEW	JING LIU	QS LIU	2017.10.06



X. :±0.6	X.° :±1°	DWG TYPE: PRODUCT DRAWING	TITLE: CCC/VDE C15 Connector			
.X :±0.4	.X° :±0.6°					
.XX:±0.10	.XX°:±0.3°	MOUID NO: AC-C0087-x	DWG NO: A12-0087-AC2-4			
UNITS	mm	APPD: 欧阳光仁				
THESE DRAWINGS AND SPECIFICATIONS ARE THE PROPERTY OF LUXSHARE-ICT AND SHALL NOT BE REPRODUCED, COPIED OR CUED IN ANY MANNER WITHOUT THE PRIOR WRITTEN CONSENT OF LUXSHARE-ICT		CHKD: 刘秋顺		SCALE	SHEET	REV.
		DRAW: 刘景		NONE	1/1	A

NO.	SPECIFICATION	Remark
1	H05RR-F 3*1.0 OD:7.2	Round Cable