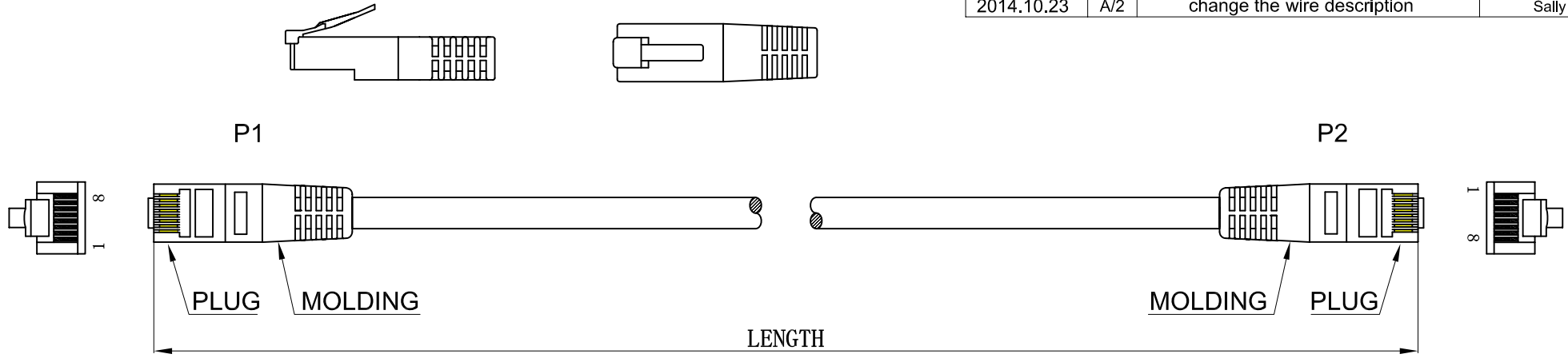
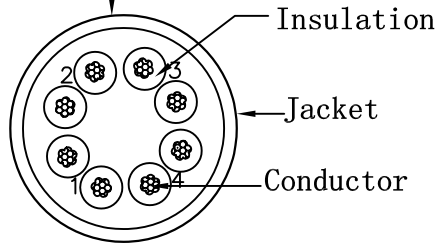


1	2
CUSTOMER NAME	Cablenet
CUSTOMER Part No.	60 XXXX

7	8	9	10
DATE	REV	DESCRIPTION	BY
2014.07.01	A/0	NEW	Sally
2014.07.08	A/0	change the conductor description	Sally
2014.10.22	A/1	change the company logo	Sally
2014.10.23	A/2	change the wire description	Sally



Marking: CAT.6 U/UTP 24AWGX4P PATCH ANSI/TIA-568-C.2 & ISO/IEC 11801 ED.2 & EN 50288-6-2
 <FP0713> & IEC 60332-1-2 FOR GIGABIT ETHERNET



orange 2 white/orange	green 3 white/green
blue 1 white/blue	brown 4 white/brown

PA/R	PINOUT		
	P1 (T568B)	WIRE	P2 (T568B)
1	1	WHT/ORG	1
	2	ORG	2
2	3	WHT/GRN	3
	6	GRN	6
3	4	BLU	4
	5	WHT/BLU	5
4	7	WHT/BRN	7
	8	BRN	8

Conductor	Bare Copper 24AWG 7/0.18 ± 0.06mm
Insulation	Thickness: MIN at any point: 0.15mm MAX AVG: 0.25mm Diameter: 0.95 ± 0.06mm
Jacket	PVC Thickness: MIN at any point: 0.65mm MAX AVG: 0.70mm Diameter: 5.8 ± 0.15mm

Wire	CAT.6 U/UTP 24AWG*4P
Plug	YUS-01 8P8C Gold Flush
Length	XX
Color	XX

Key Size	△	3RD	⊙
Length (mm)	Critical	Normal	General
0-15	±0.05	±0.10	±1.0
15-60	±0.10	±0.20	
60-150	±0.15	±0.35	±1.5
150-350	±0.20	±0.50	
350-1000	±0.40	±0.65	

Part No.	60 XXXX		
Description	CAT.6 U/UTP W/O CROSS 24WAG*4P YUS-01 L-843		
UNIT	mm	APPROVAL	CHECKER
PAGE	1/1	2014.10.23	2014.10.23
Draw.No.		單鏡	蔡秀云
			Sally