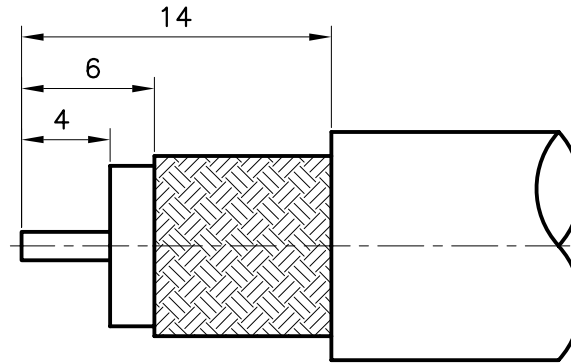
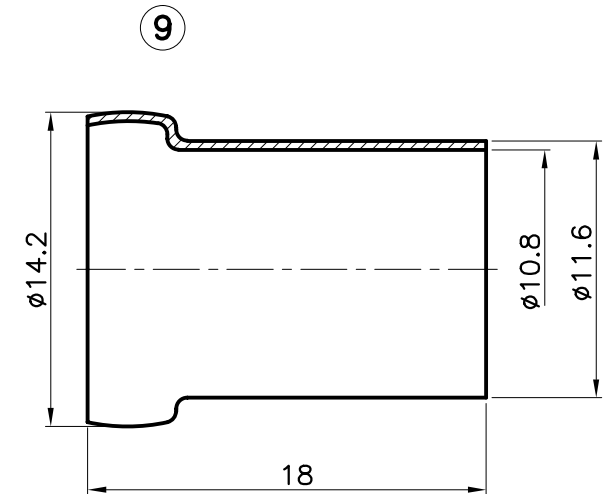
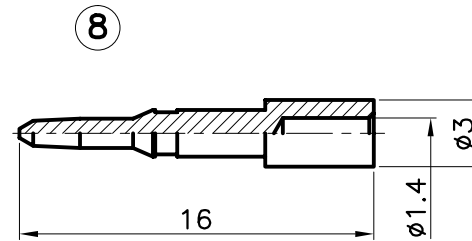
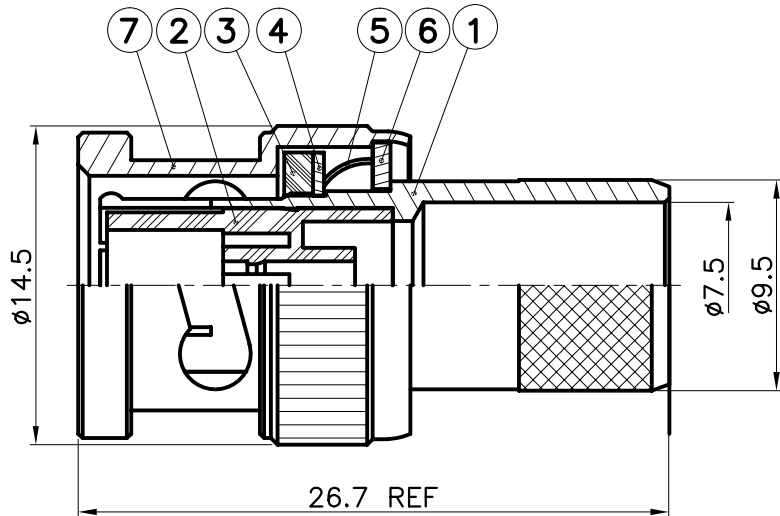


REVISIONS		
ISS	DESCRIPTION	DATE
A1	ADD STRIP AND CRIMP DETAILS	11/11/21

RoHS COMPLIANT



RECOMMENDED
CABLE STRIPPING DIM'S



1. CRIMPED FERRULE
HEX CRIMP SIZE .406"
2. CRIMPED CONTACT PIN
HEX CRIMP SIZE .102"

(CRIMPING TOOL "HT-116S")

TITLE: BNC MALE CRIMP (FOR RG11)	CHKD:	UNLESS OTHERWISE SPECIFIED TOLERANCES 0.5-6 = ±0.2 >6-30 = ±0.4 >30-120 = ±0.6 >120-315 = ±1 >315-1000 = ±1.6 ANGLES = ±5°	9	FERRULE	BRASS	NICKEL
	DR:		8	CONTACT PIN	BRASS	GOLD
PART NO: B002B011-96	DATE: 11/11/21	UNIT: mm	7	SHELL	ZINC ALLOY	NICKEL
DRAWING NO: 50401-022-A1	SHEET: .	SCALE: 3/1	6	WASHER	STEEL	NICKEL
			5	SPRING	SK-5	NICKEL
			4	C WASHER	STEEL	NICKEL
			3	GASKET	PVC	RED
			2	INSULATOR	DELIN	WHITE
			1	BODY	BRASS	NICKEL
			NO.	DESCRIPTION	MATERIAL	FINISH