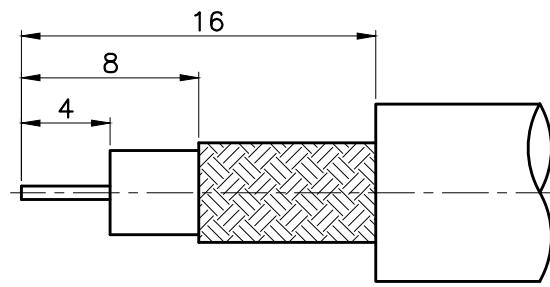
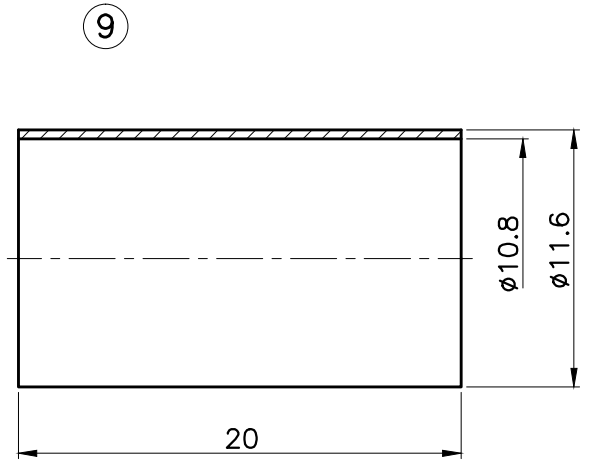
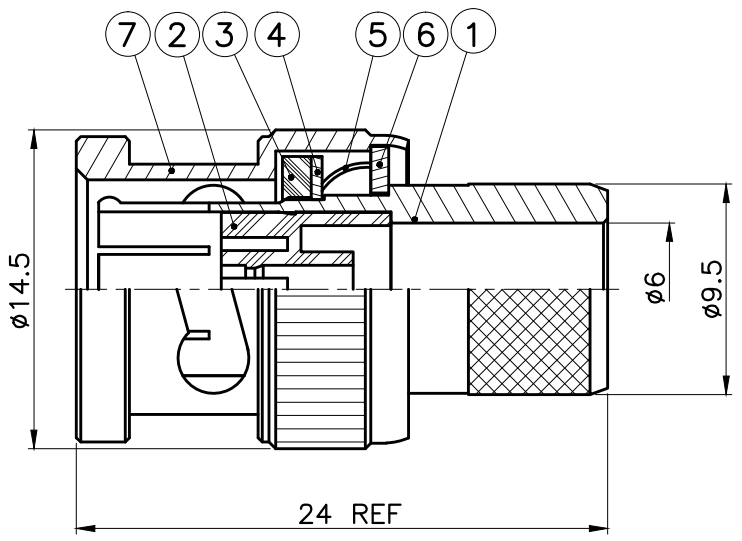
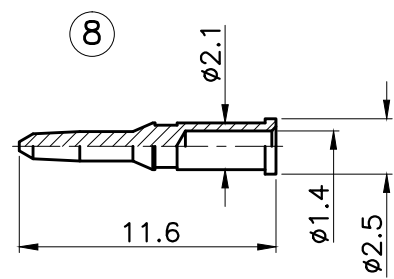


REVISIONS		
ISS	DESCRIPTION	DATE

RoHS COMPLIANT



RECOMMENDED
CABLE STRIPPING DIM'S



APRD:	UNLESS OTHERWISE SPECIFIED TOLERANCES 0.5-6 = ±0.2 >6-30 = ±0.4 >30-120 = ±0.6 >120-315 = ±1 >315-1000 = ±1.6 ANGLES = ±5°
CHKD:	
DR:	

DATE: 05/21/10"	UNIT: mm
SHEET: .	SCALE: 3/1

NO.	DESCRIPTION	MATERIAL	FINISH	SGS REPORT NO
9	FERRULE	BRASS	NICKEL	KA/2005/10527\ KA/2005/60362
8	CONTACT PIN	BRASS	GOLD	KA/2005/10527\ KA/2005/30993
7	SHELL	BRASS	NICKEL	KA/2005/10527\ KA/2005/60362
6	WASHER	STEEL	NICKEL	KA/2005/10523\ KA/2005/60362
5	SPRING	SK-5	NICKEL	KA/2005/10524\ KA/2005/60362
4	C WASHER	STEEL	NICKEL	KA/2005/10523\ KA/2005/60362
3	GASKET	PVC	RED	KA/2005/10533
2	INSULATOR	DELTRIN	WHITE	KA/2005/10531
1	BODY	BRASS	NICKEL	KA/2005/10527\ KA/2005/60362

TITLE: BNC MALE CRIMP(75 ohm)
(FOR CT125RBS)
PART NO: BNC1-125RBS
DR. NO:50311-050(B002B125RBS-96)