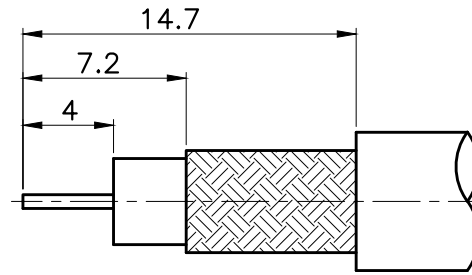
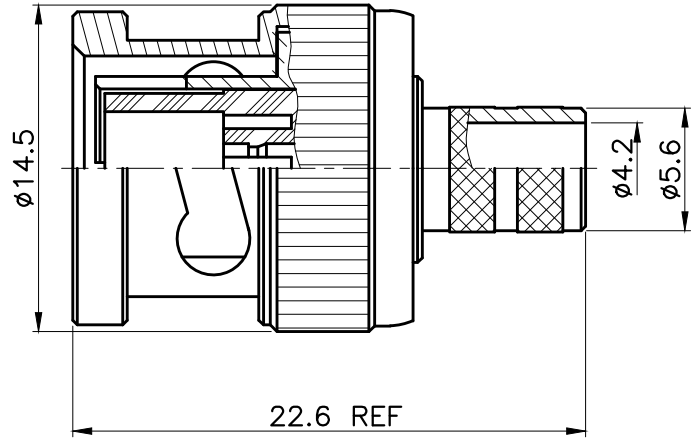
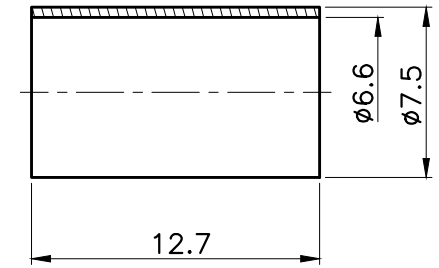
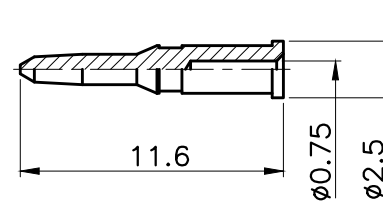


REVISIONS	
ISS	DESCRIPTION \ DATE

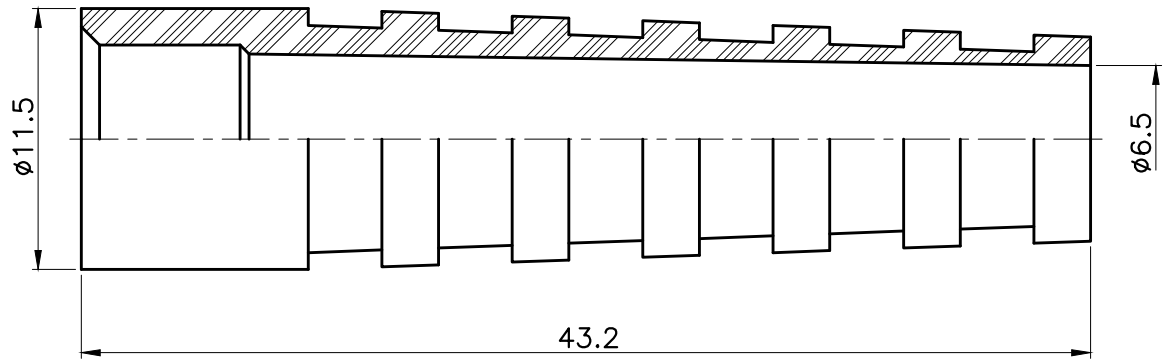
RoHS COMPLIANT



RECOMMENDED  
CABLE STRIPPING DIM'S



1. CRIMPED FERRULE  
HEX CRIMP SIZE .213"
2. CRIMPED CONTACT PIN  
HEX CRIMP SIZE .068"



TITLE: BNC MALE CRIMP  
(FOR RG59)

PART NO: BNC1-59BT

DR. NO: 50014-067(B002D059-96+BOOT-59)

APRD:	UNLESS OTHERWISE SPECIFIED TOLERANCES 0.5-6 = ±0.2 >6-30 = ±0.4 >30-120 = ±0.6 >120-315 = ±1 >315-1000 = ±1.6 ANGLES = ±5°	BOOT	PVC	BLACK	KA/2005/62254
CHKD:		FERRULE	BRASS	NICKEL	KA/2005/10527 \ KA/2005/60362
DR:		CONTACT PIN	BRASS	GOLD	KA/2005/10527 \ KA/2005/30993
DATE: 11/01/10"		SHELL	ZINC ALLOY	NICKEL	KA/2005/10528 \ KA/2005/60362
UNIT: mm	WASHER	STEEL	NICKEL	KA/2005/10523 \ KA/2005/60362	
SCALE: 3/1	SPRING	SK-5	NICKEL	KA/2005/10524 \ KA/2005/60362	
SHEET: .	INSULATOR	DELTRIN	WHITE	KA/2005/10531	
	BODY	ZINC ALLOY	NICKEL	KA/2005/10528 \ KA/2005/60362	
	NO. DESCRIPTION	MATERIAL	FINISH	SGS REPORT NO	