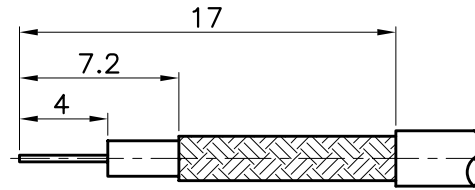
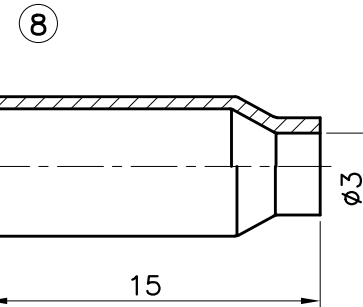
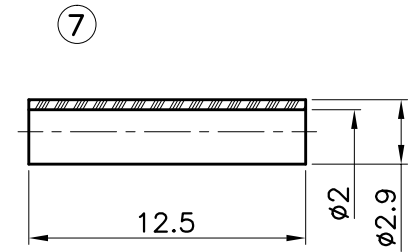
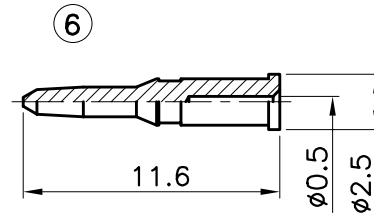
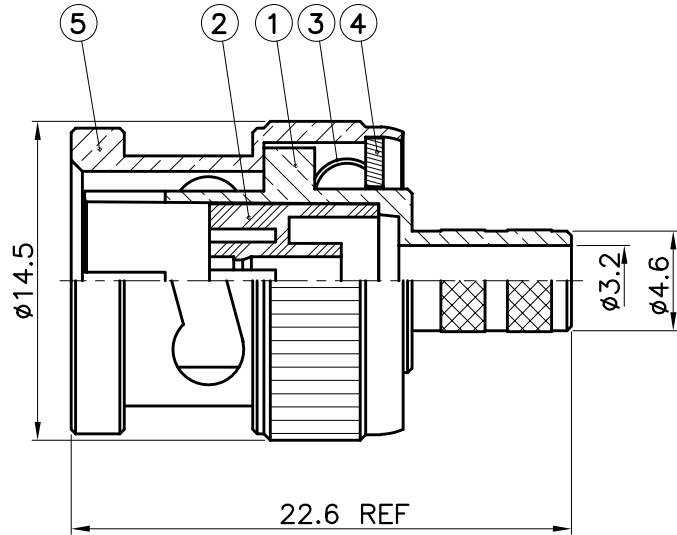


REVISIONS	
ISS	DESCRIPTION \ DATE

RoHS COMPLIANT



RECOMMENDED
CABLE STRIPPING DIM'S



1. CRIMPED FERRULE
HEX CRIMP SIZE .213"
2. CRIMPED CONTACT PIN
HEX CRIMP SIZE .068"

TITLE: BNC MALE CRIMP (75 ohms) (FOR RG179/U)	APRD:	UNLESS OTHERWISE SPECIFIED TOLERANCES 0.5-6 = ±0.2 >6-30 = ±0.4 >30-120 = ±0.6 >120-315 = ±1 >315-1000 = ±1.6 ANGLES = ±5°	8 FERRULE	BRASS	NICKEL	KA/2005/10527 \ KA/2005/60362
PART NO: BNC2-179D	CHKD:		7 SPACER	DELTRIN	WHITE	KA/2005/10531
DR NO:50013-616(B002D179-96-75-100)	DR:		6 CONTACT PIN	BRASS	GOLD	KA/2005/10527 \ KA/2005/30993
	DATE: 11/30/10"	UNIT: mm	5 SHELL	ZINC ALLOY	NICKEL	KA/2005/10528 \ KA/2005/60362
	SHEET: .	SCALE: 3/1	4 WASHER	STEEL	NICKEL	KA/2005/10523 \ KA/2005/60362
			3 SPRING	SK-5	NICKEL	KA/2005/10524 \ KA/2005/60362
			2 INSULATOR	DELTRIN	WHITE	KA/2005/10531
			1 BODY	ZINC ALLOY	NICKEL	KA/2005/10528 \ KA/2005/60362
			NO. DESCRIPTION	MATERIAL	FINISH	SGS REPORT NO