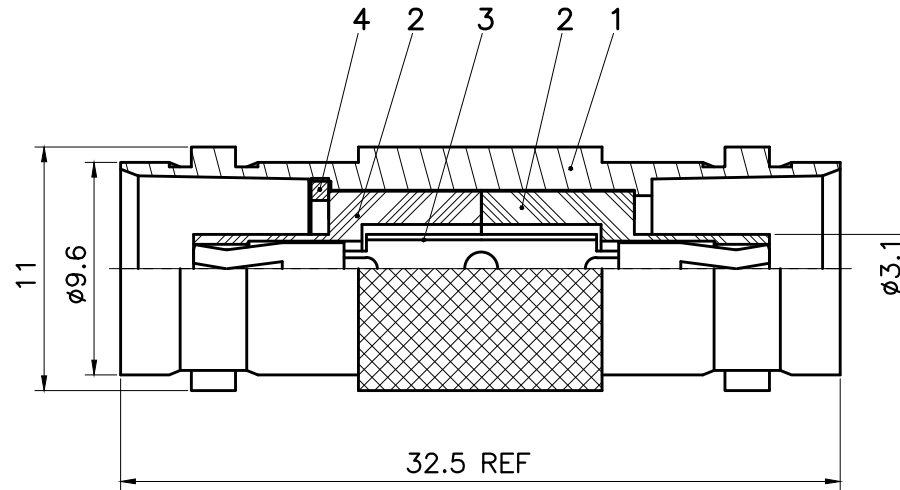


REVISIONS	
ISS	DESCRIPTION\DATE

RoHS COMPLIANT



APRD:	UNLESS OTHERWISE SPECIFIED TOLERANCES 0.5-6 = ±0.2 >6-30 = ±0.4 >30-120 = ±0.6 >120-315 = ±1 >315-1000 = ±1.6 ANGLES = ±5°
CHKD:	
DR:	
DATE: 02/20/03"	UNIT: mm
SHEET: .	SCALE: 3/1

TITLE: BNC DOUBLE FEMALE

PART NO: A002D000-75

DRAWING NO: 20005-005

NO.	DESCRIPTION	MATERIAL	FINISH	SGS REPORT NO
4	WASHER	BRASS	NICKEL	KA/2005/10527\ KA/2005/60362
3	CONTACT PIN	P.B.	GOLD	KA/2005/10526\ KA/2005/30993
2	INSULATOR	DELIN	WHITE	KA/2005/10531
1	BODY	ZINC ALLOY	NICKEL	KA/2005/10528\ KA/2005/60362