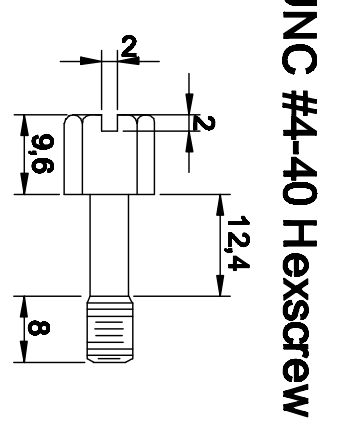
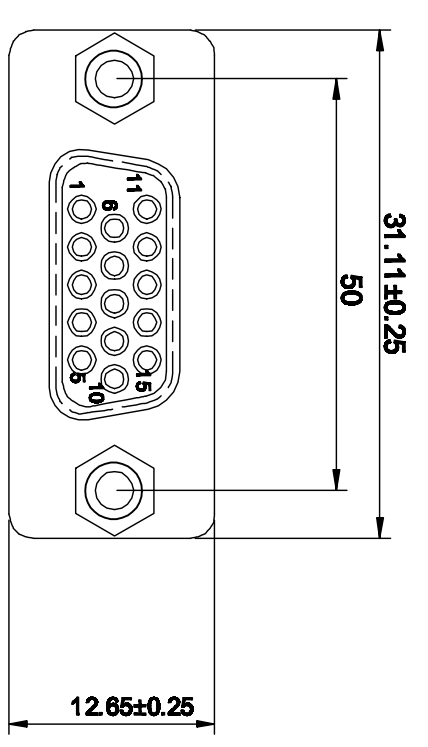
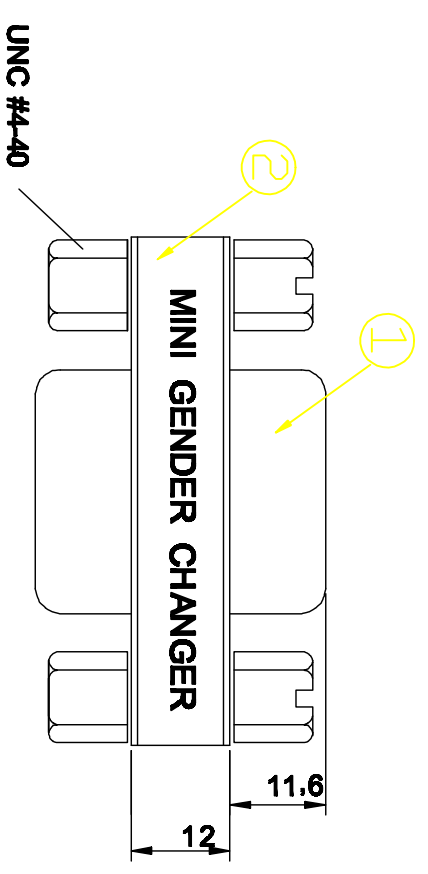
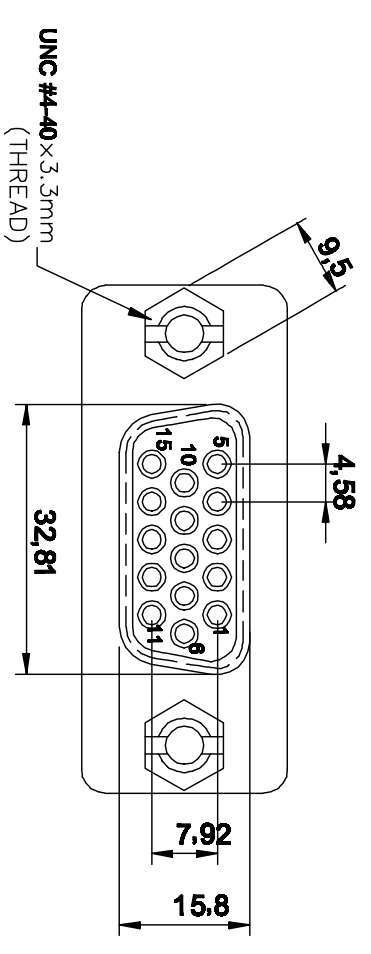


RevNo	Revision note	Date	Signature	Checked
1				



PIN OUT
15Female 15Female

- 1 ----- 1
- 2 ----- 2
- 14 ----- 14
- 15 ----- 15
- G ----- G

NOTES:
 1:100% short,open and miss wire test.
 2:Label printing:MINI GENDER CHANGER

②	LABEL	YELLOW COLOR WITH BLACK CHARACTER	1	PCS
①	CONNECTOR	HDB 15PIN FEMALE ADAPTER WITH SHELL,THE SHELL FOR NICKEL PLATING,BLUE INSULATION	1	PCS
NO.	MATERIAL	DESCRIPTIONG	QTY.	UNIT

Item ref	Quantity	Title/Name,designation,material,dimension etc		Article No./Reference
Designed by		Checked by	Approved by - date	File name
ANGLE:			SEP 13,2013	HDB 15PIN F/F adapter
UNIT:MM				HDB 15PIN F/F adapter
				GENCHAN15F
				Edition 1
				Sheet 1/1